

# RADIAL

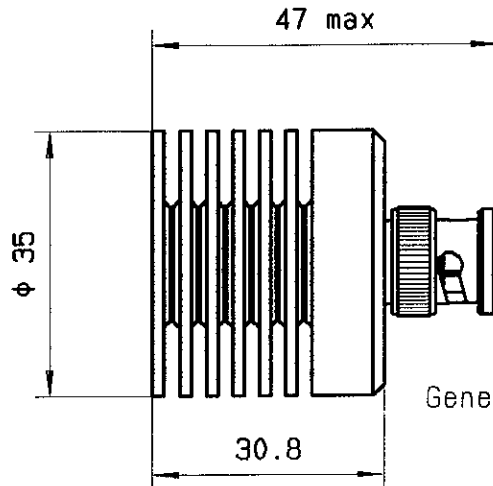
# R404555000

## TECHNICAL DATA SHEET

TITLE: 12 W 2GHZ BNC/m COAXIAL TERMINATION

LTR. B

### DRAWING



General tolerances: +/- 0.5 mm

### ELECTRICAL CHARACTERISTICS

FREQUENCY RANGE : DC - 2GHz  
 IMPEDANCE : 50 Ohms  
 DC RESISTANCE : 50 Ohms ± 5 %  
 AVERAGE POWER HANDLING : 12 W at 75°C  
 PEAK POWER HANDLING : 4 kW ( 1 μs, 1%. ) at 25°C

V.S.W.R : DC - 2 GHz : ≤ 1.10

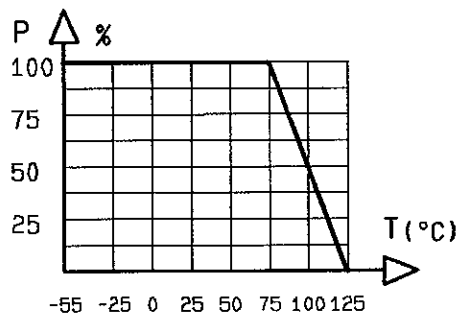
### MECHANICAL CHARACTERISTICS

CONNECTOR : BNC male per MIL C 39012  
 MAXIMUM WEIGHT : 70 grams

### ENVIRONMENTAL CHARACTERISTICS

OPERATING TEMPERATURE RANGE (°C) : -55 , +125  
 STORAGE TEMPERATURE RANGE (°C) : -55 , +125

Power derating  
Versus temperature



Tentative data subject to change without notice

PEN CAT	QUALITY Dpt App.				
	<div style="border: 1px solid black; padding: 2px; display: inline-block;">MO R</div>				
PAGE 1/1	DATE 25.11.83	NAME DP	B	New format	22.10.92 PG
			LTR	REVISIONS	DATE APP.